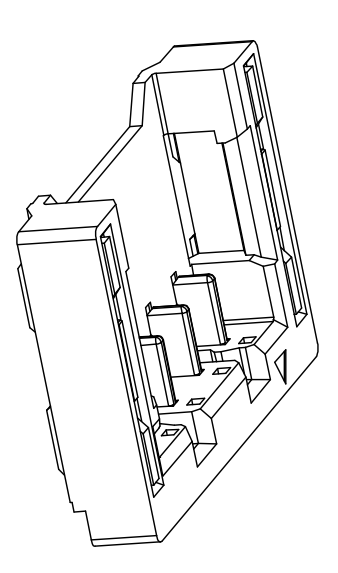
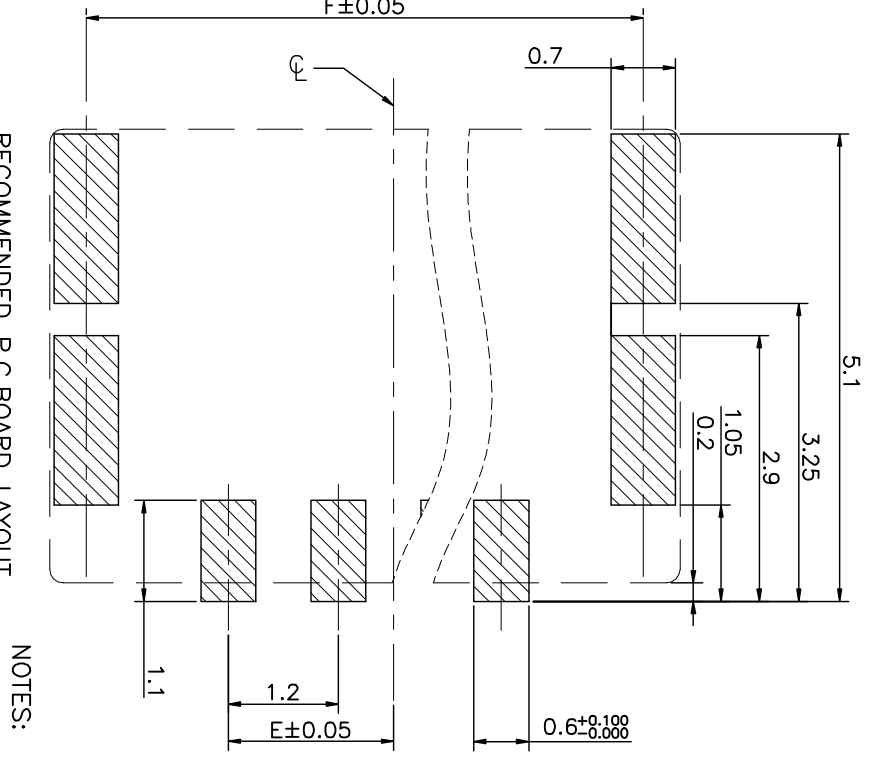
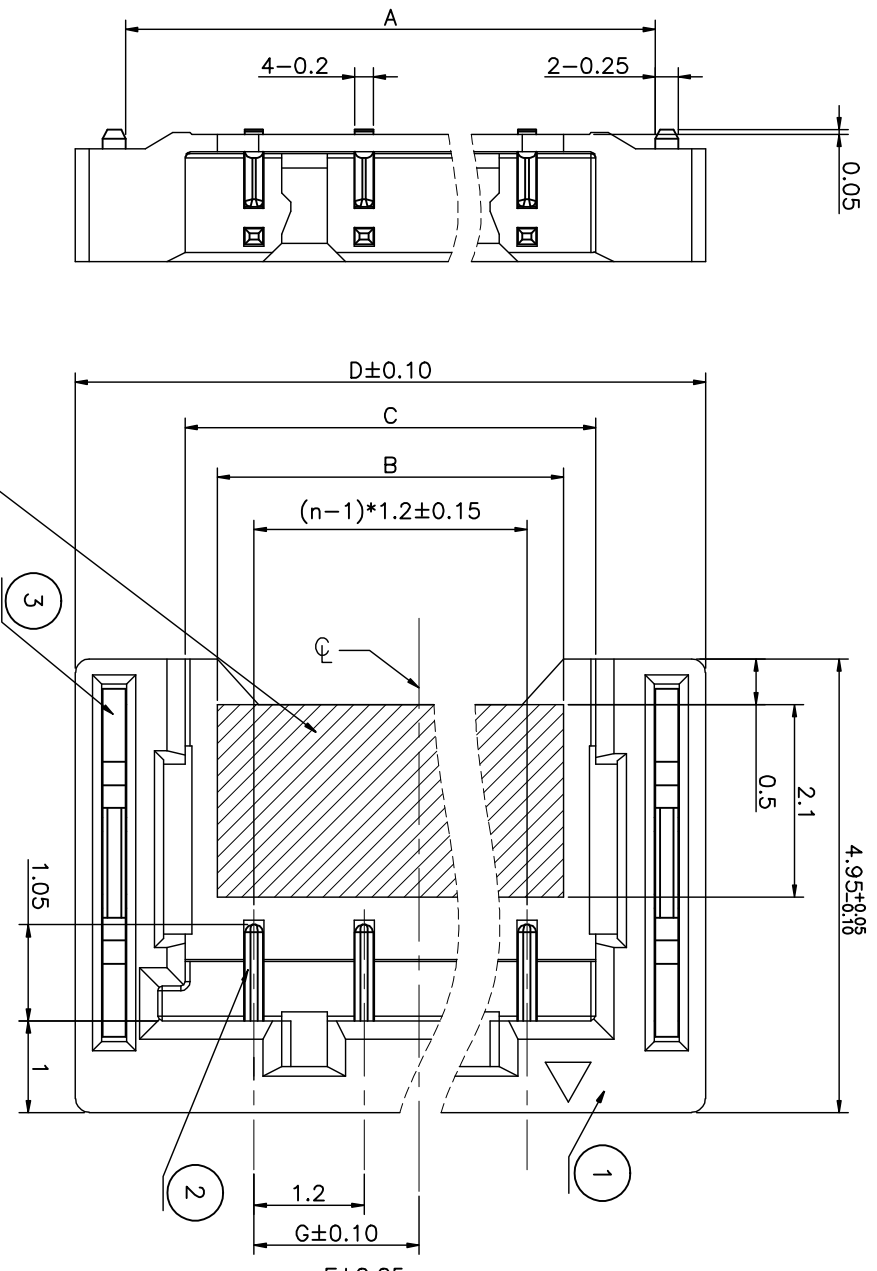


A3	1	2	3	4	5	6	7	8	
REV	EQN NO	DESCRIPTION	DATE	APPD	REV	EQN NO	DESCRIPTION	DATE	APPD
X1		INITIAL RELEASE	2012.12.24	BILL	X2		ADD 7PIN&8PIN	2013.03.11	BILL

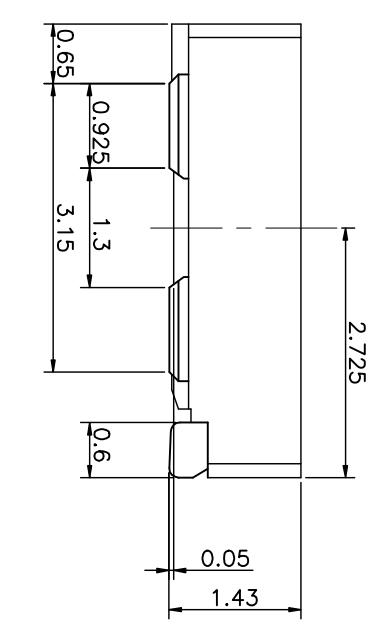
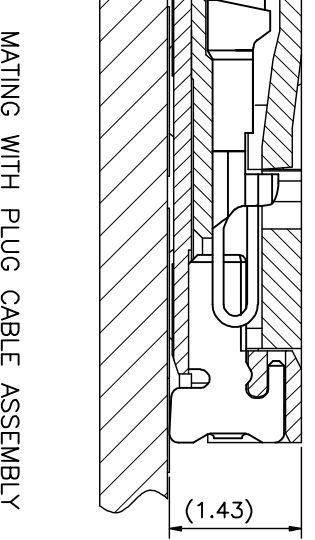


RECOMMENDED P.C. BOARD LAYOUT  
TOLERANCES SPEC: ±0.05

NOTES:

- ELECTRICAL CHARACTERISTICS:  
1-1 CONTACT CURRENT RATING: 2.5A MAX.  
1-2 CONTACT RESISTANCE: 10 MOHMS MAX.  
1-3 INSULATION RESISTANCE:  
INITIAL: 100 MOHMS MIN.  
AFTER TEST: 100 MOHMS MIN.
- MECHANICAL CHARACTERISTICS:  
2-1 MATING FORCE: 24N MAX.  
2-2 UNMATING FORCE: 2.5N MIN.  
2-3 DURABILITY : 20 CYCLES.
- ENVIRONMENT CHARACTERISTICS:  
OPERATING TEMPERATURE: -25°C~85°C
- RECOMMENDED IR REFLOW PROCESS PEAK TEMPERATURE:  
250+5/-0°C, DURATION 10s MAX.
- ALL SMT CONTACTS AND PADS CO-PLANARITY: 0.08mm MAX
- P/N: 9.102A0-\*\*\*-5R0

- 003:3 PIN
- 004:4 PIN
- 005:5 PIN
- 006:6 PIN
- 007:7 PIN
- 008:8 PIN



MATING WITH PLUG CABLE ASSEMBLY

ITEM	DESCRIPTION	Q'TY	MATERIAL	FINISH
1	WAFER	1	THERMOPLASTIC	BLACK, UL94 V-0
2	CONTACT	4	COPPER ALLOY	NICKEL PLATING AT CONTACT AREA
3	TAB	2	COPPER ALLOY	NICKEL PLATING OVERALL

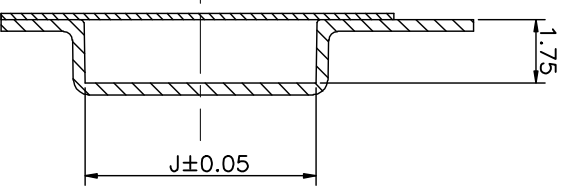
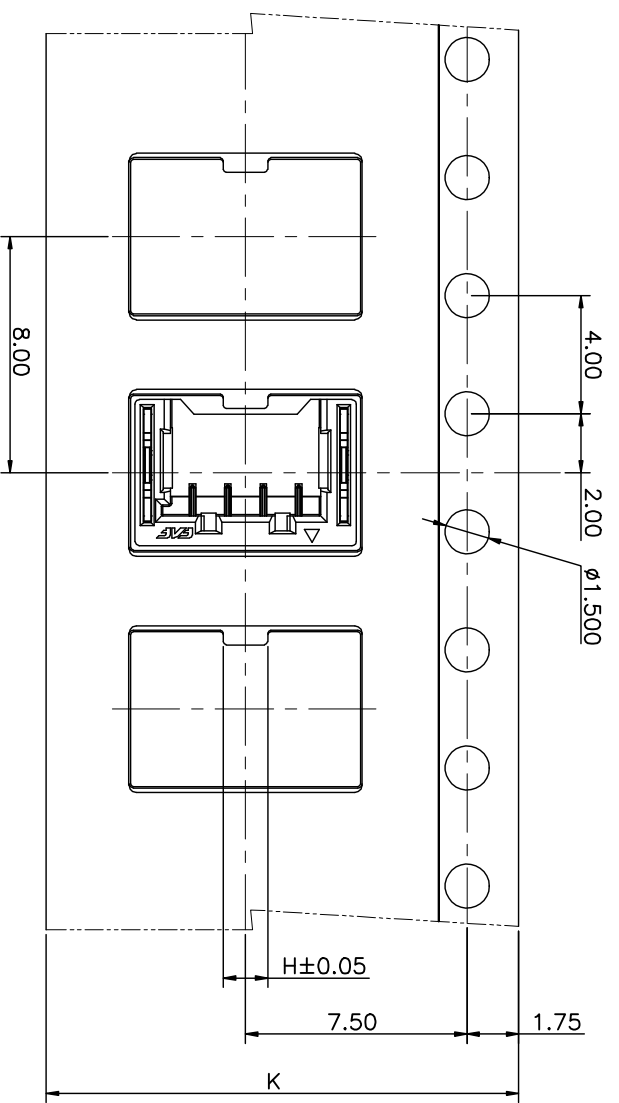
8PIN	11.2	9.20	9.80	12.1	4.20	11.5	4.20
7PIN	10.0	8.00	8.60	10.9	3.60	10.3	3.60
6PIN	8.80	6.80	7.40	9.70	3.00	9.10	3.00
5PIN	7.60	5.60	6.20	8.50	2.40	7.90	2.40
4PIN	6.40	4.40	5.00	7.30	1.80	6.70	1.80
3PIN	5.20	3.20	3.80	6.10	1.20	5.50	1.20

EXTEND USE	WTB 1.43H CONNECTOR	GENERAL TOLERANCE	ANGLES	QTY	FINISHED	DRN	TITLE	DWG NO
							WTB 1.43H RECEPTACLE Customer Drawing	C-9.102A0
							APPD <b>BILL</b> 2013.03.11	
							CHD <b>ANDREW</b> 2013.03.11	
							<b>TED</b> 2013.03.11	

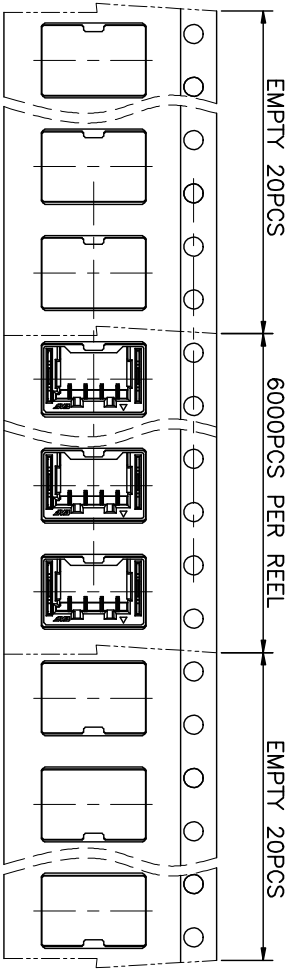
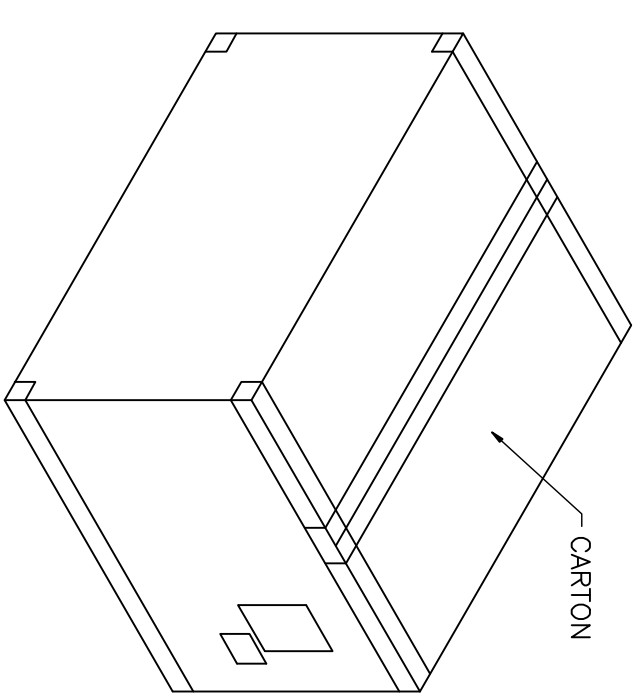
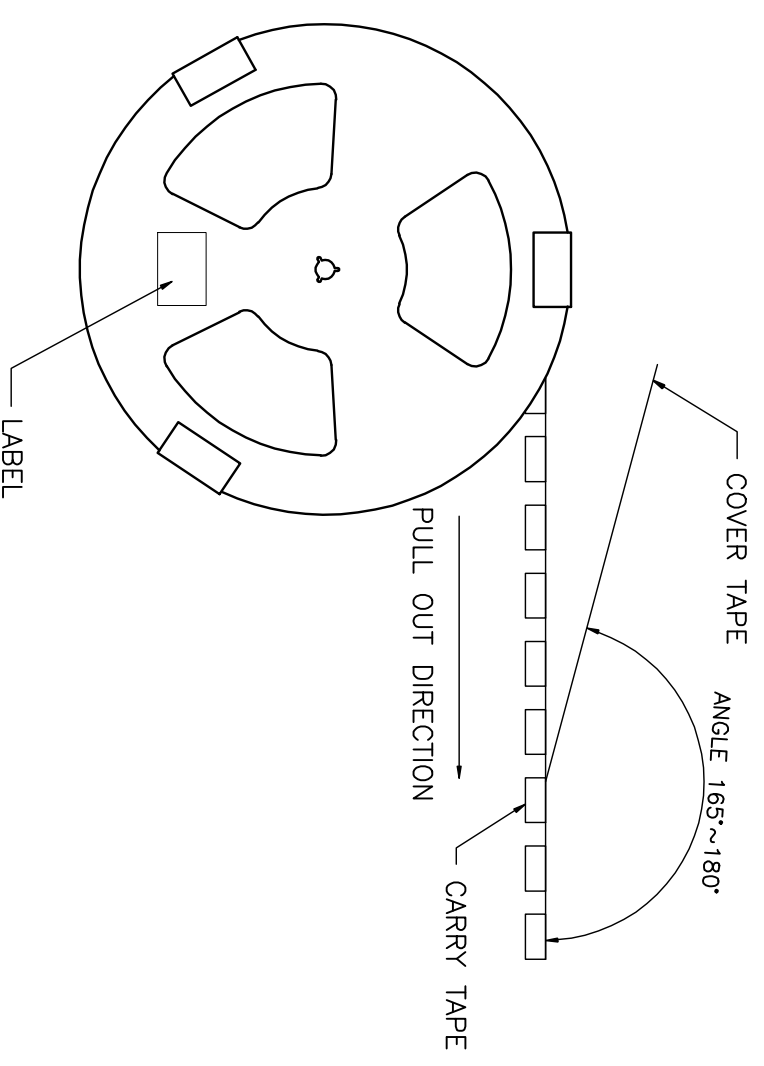
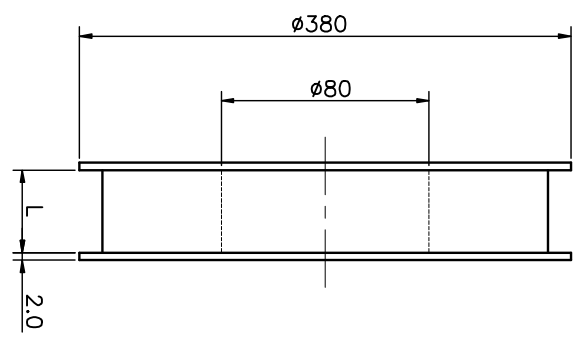


P/N: SEE TABLE

SHEET	SCALE	REV
1/2	1:1	X2



- NOTES:
1. QUANTITY TO BE PACKAGED:60000PCS/REEL  
30000PCS/CARTON;
  2. COVER TAP PEEL STRENGTH:0.15~1N;
  3. MATERIAL:  
CARRIER TAPE:PS;  
COVER TAPE:PET;  
REEL:PS;  
CORE:PS;



8PIN	7.30	12.4	24.0	24.4
7PIN	6.10	11.2	24.0	24.4
6PIN	4.90	10.0	24.0	24.4
5PIN	3.70	8.80	16.0	16.4
4PIN	2.50	7.60	16.0	16.4
3PIN	1.30	6.40	16.0	16.4
ITEM	H	J	K	L

EXTEND USE		TITLE		DWG NO	
WTB 1.43H CONNECTOR		WTB 1.43H RECEPTACLE Customer Drawing		C-9.102A0	
GENERAL TOLERANCE		MATERIAL		P/N:	
DIMENSION		QTY		SEE TABLE	
ANGLES		FINISHED		SHEET SCALE	
.0 ±0.30		DRN		2/2	
.00 ±0.25		TED		1:1	
.000 ±0.10		2013.03.11		REV X2	



E  
D  
C  
B  
A

1  
2  
3  
4  
5  
6  
7  
8